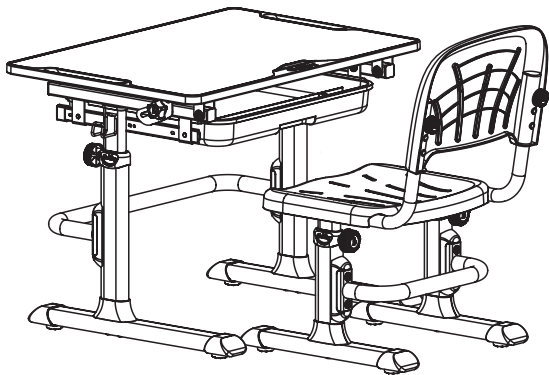


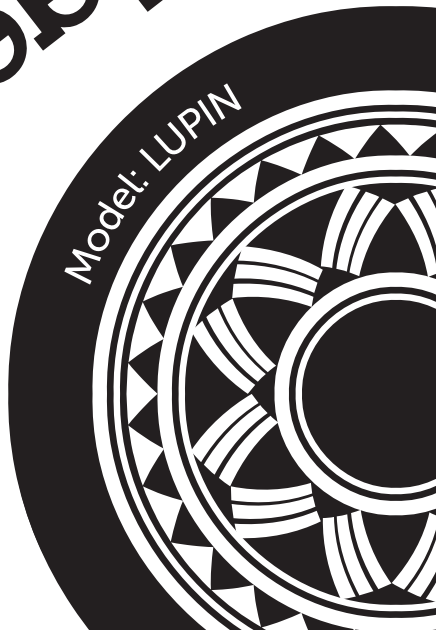
# CHILDREN'S HEALTHY DESK & CHAIR

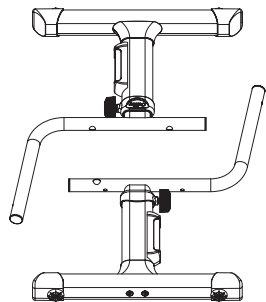
ASSEMBLY INSTRUCTIONS

# Cubby



Model: LUPIN





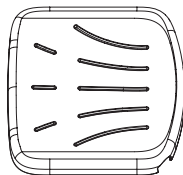
B1



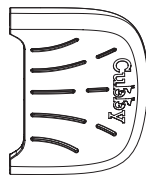
B2



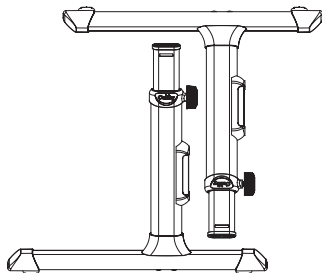
B3



B4



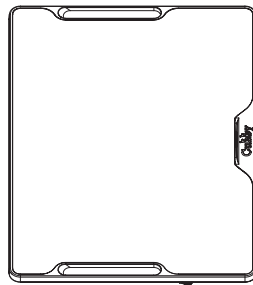
B5



B6



B7



B8



A1x12



A2x8



A3x4



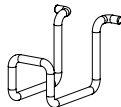
A4x4



A5x2



A6x1



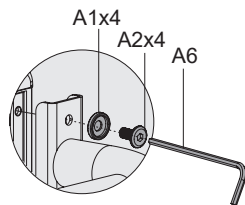
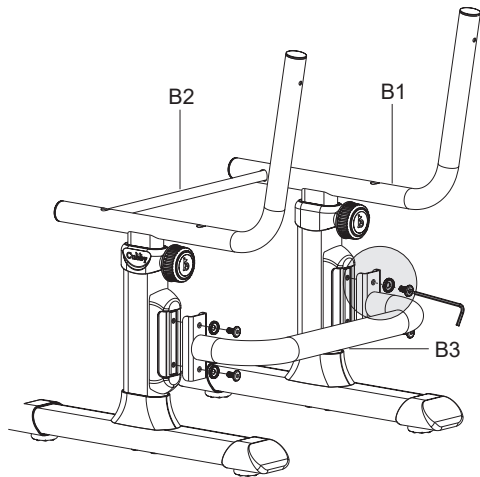
A7x1

### CAUTION!

1. For indoor use only.
2. This product should be placed on a flat surface.
3. Please immediately wipe clean the desktop surface if any liquid is splashed on it.
4. Please check screws regularly to ensure there are no loose parts during daily use.
5. Only tightly fasten all the screws once the desk and chair have been assembled properly.
6. Use a damp cloth to clean the desktop surface.
7. Don't put product in the place where there is corrosive gas and moisture in case of damage.

1

STEP

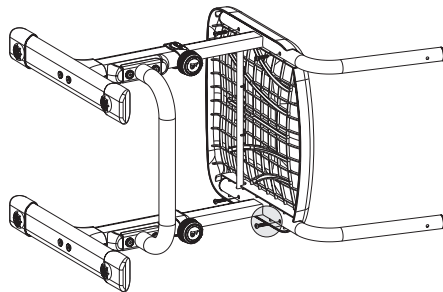
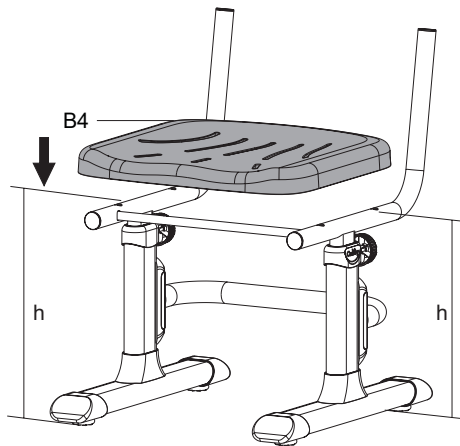


MODEL: LUPIN

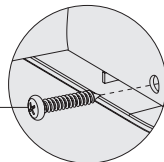


STEP

2



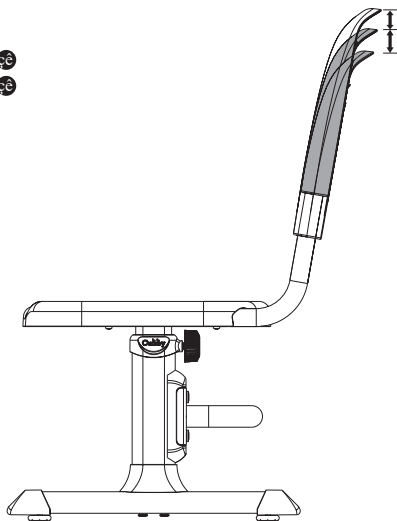
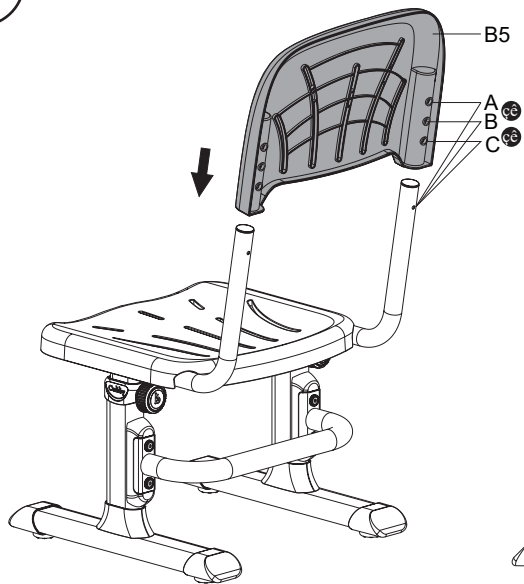
A3x4



ASSEMBLY INSTRUCTIONS

3

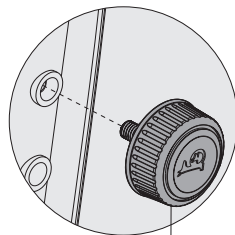
STEP



MODEL: LUPIN

STEP

4

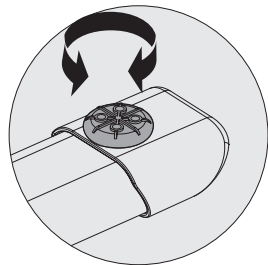
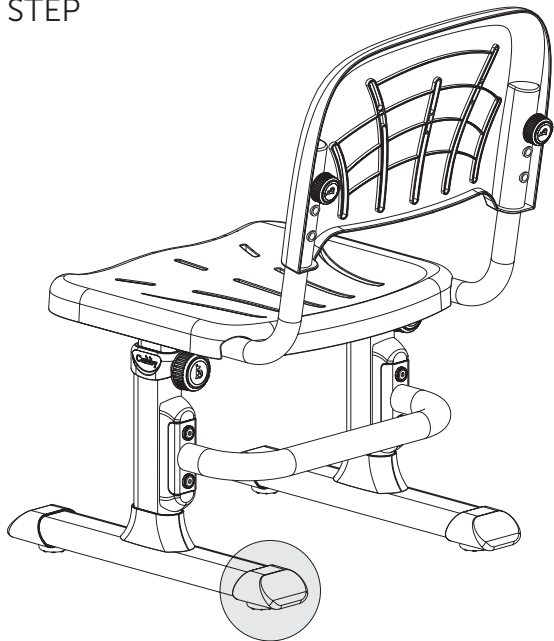


A5x2

ASSEMBLY INSTRUCTIONS

5

STEP

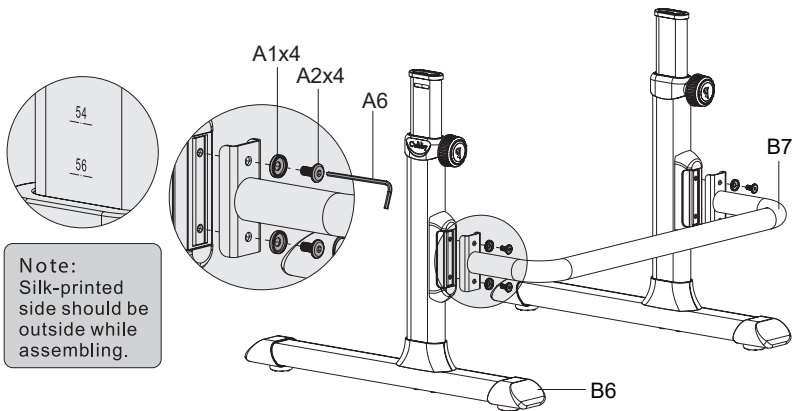


MODEL: LUPIN



STEP

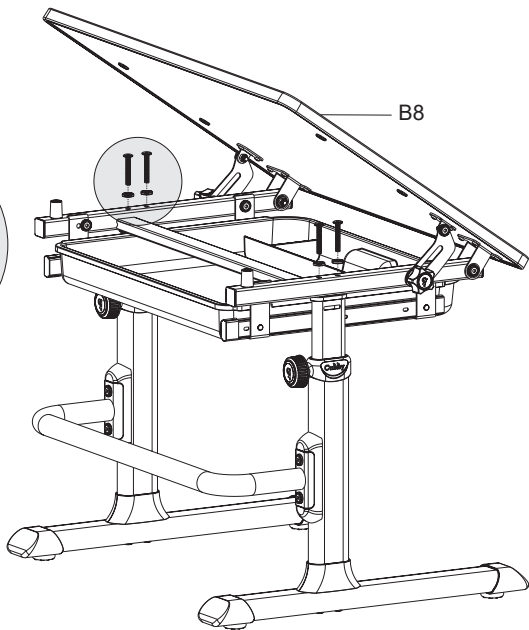
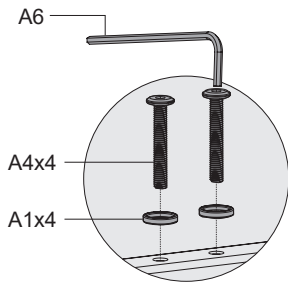
6



ASSEMBLY INSTRUCTIONS

7

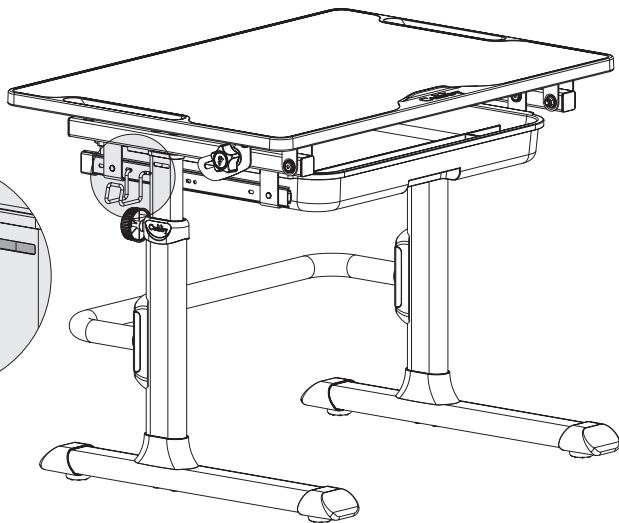
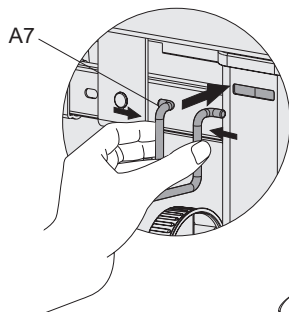
STEP



MODEL: LUPIN

STEP

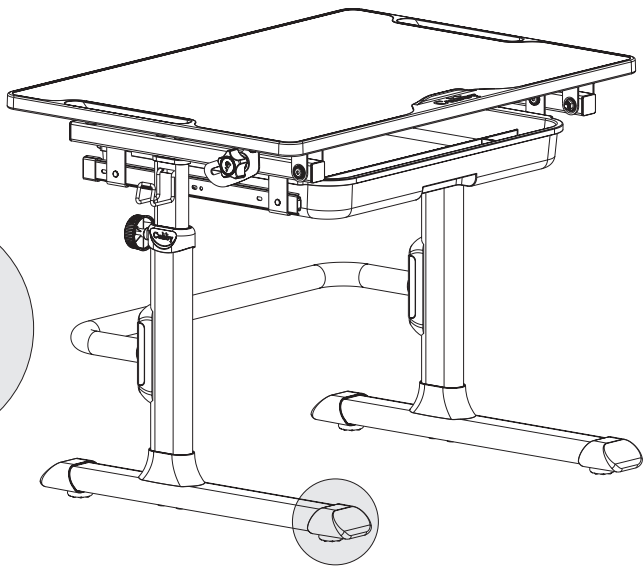
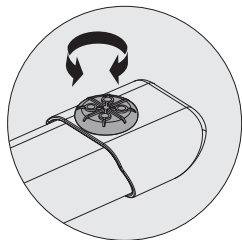
8



ASSEMBLY INSTRUCTIONS

9

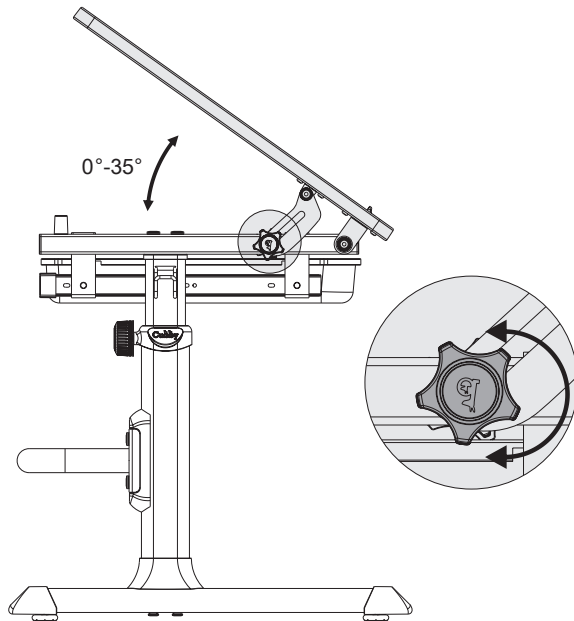
STEP



MODEL: LUPIN

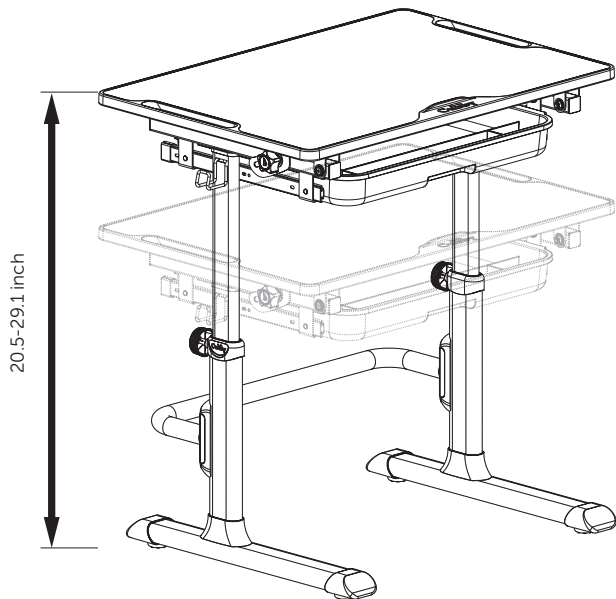
STEP

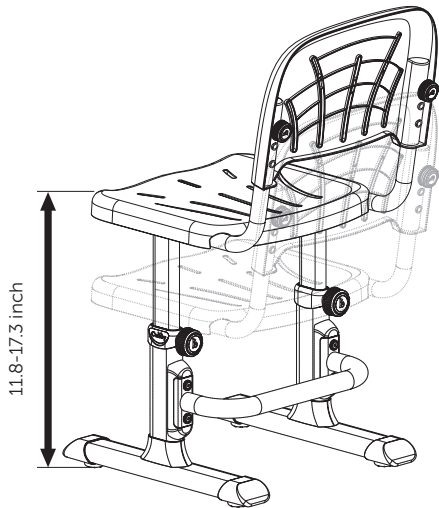
10



ASSEMBLY INSTRUCTIONS

# HEIGHT ADJUSTMENT





#### **HOW TO LIFT UP**

The desk and chair can be adjusted higher by placing one foot on the support bar and pulling the desk or chair up to the required height.

#### **HOW TO LOWER DOWN**

Gently pull up the desk or chair to the maximum height and then slowly lower down to the minimum height. Lift up again to the required height as above.

Cubby

